

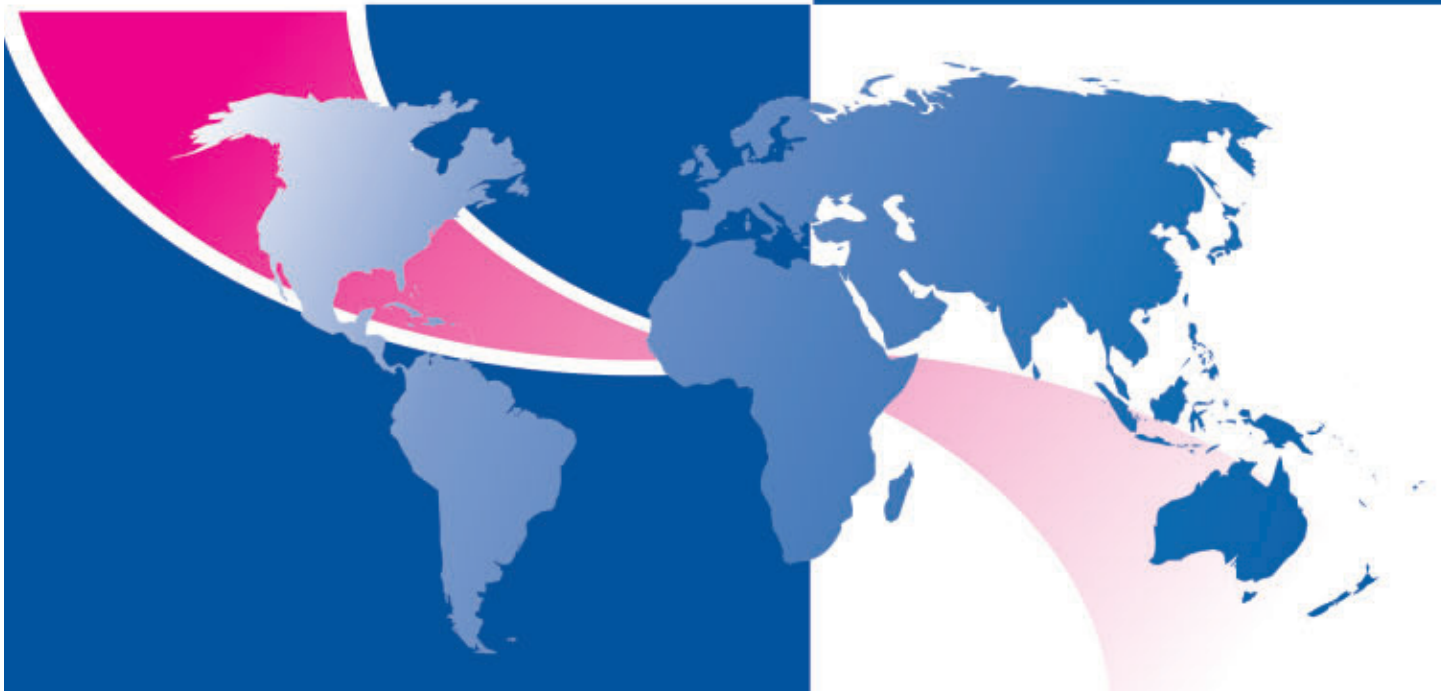


ACCESSORI
ACCESSORIES



FILTREC[®]
Technical Filtration

serie
FL



Serie FL

Fluid level temperature gauges



FILTER HOUSING

Description:

Max working pressure:

Connection Ports:

Working temperature:

Thermometer:

Materials:

Technical Information

Fluid level temperature gauges

1 Bar (14.5 psi)

Metric

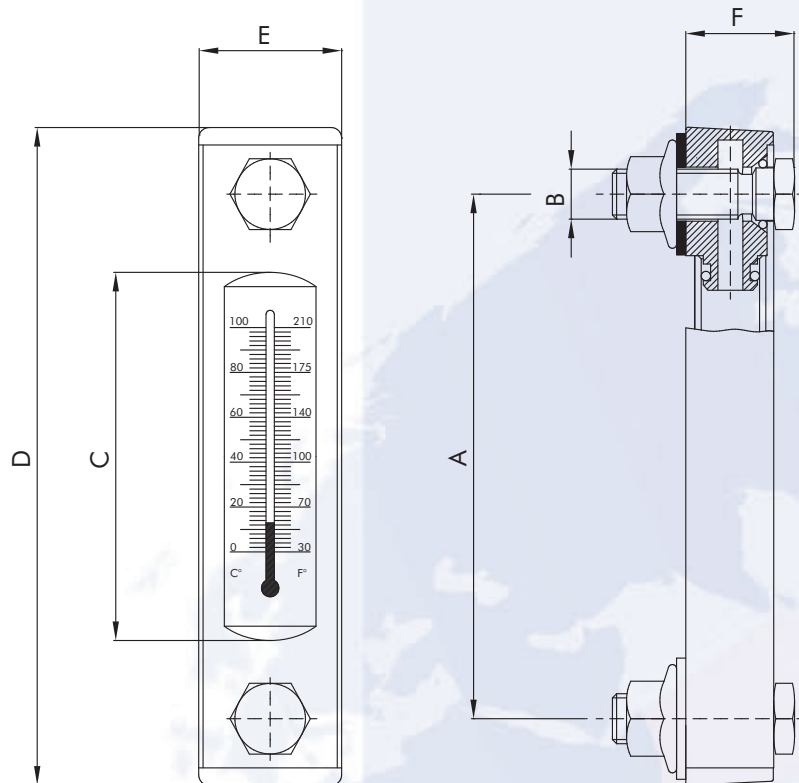
-20°C +80°C (-4°F +176°F)

Double scale 0°C ÷ 100°C 30°F ÷ 210 °F

- Heads: *nylon*
- Protection: *anodized aluminium*
- Screws: *zinc steel*
- Seal: *Buna-N* compatible as per ISO 2943 with mineral oil (HH-HL-HM-HR-HV-HG) water oil emulsions (HFAE-HFAS)

ORDER CODE	HOLE CENTRES	BOLT THREAD SIZE	LENGTH	WIDTH	ELEMENT
FL1M10	76MM	M10X1.5	106MM	36MM	D120G10A
FL1M12	76MM	M12X1.75	106MM	36MM	D124G10A
FL1TM10	76MM	M10X1.5	106MM	36MM	D121G10A
FL1TM12	76MM	M12X1.75	106MM	36MM	D140G10A
FL2M10	127MM	M10X1.5	157MM	36MM	D141G10A
FL2M12	127MM	M12X1.75	157MM	36MM	D142G10A
FL2TM10	127MM	M10X1.5	157MM	36MM	D120G25A
FL2TM12	127MM	M12X1.75	157MM	36MM	D124G25A
FL3M10	254MM	M10X1.5	284MM	36MM	D121G25A
FL3M12	254MM	M12X1.75	284MM	36MM	D140G25A
FL3TM10	254MM	M10X1.5	284MM	36MM	D141G25A
FL3TM12	254MM	M12X1.75	284MM	36MM	D142G25A

Overall dimensions



1) Nominal size

Code	A	B	C	D	E	F
FL-1	76	M10	35	106	36	30
FL-2	127	M12	86	157	36	30
FL-3	254	M12	213	284	36	30

2) Temperature indicator

Code	Temperature indicator
0	senza / without
T	con / with

3) Connection port

Code	Connection
M10	M10
M12	M12

Ordering information

FL-2	T	M12
1*	2*	3*

ACCESSORI
ACCESSORIES



FILTREC[®]
Technical Filtration

serie
FB-1



Serie FB-1

Air breather filters



FILTER HOUSING

Description:

Max flow rate:

Port Connection:

Materials:

Technical Information

Thread air breather filters.

FB1-10 200 l/min. (53 gpm)

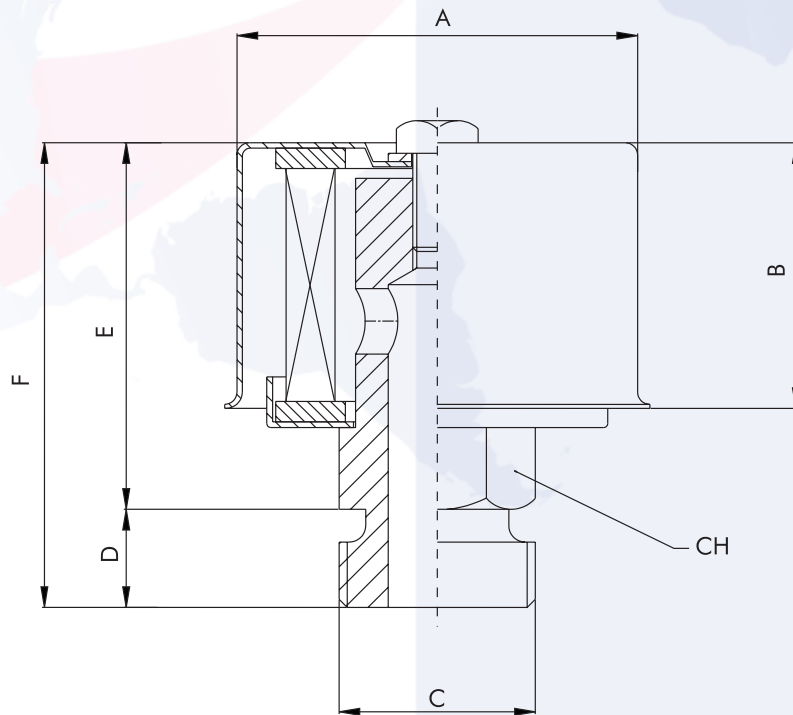
FB1-20 500 l/min. (132 gpm)

FB1-20 1000 l/min. (264 gpm)

BSP – Metric

Zinc steel

Informazioni dimensionali - Overall dimensions



ORDER CODE	THREAD	LENGTH	O/D	MICRON	PRICE
FB110B1C05	1/4" BSP	54MM	48MM	5 MICRON	£13.30
FB110B1C10	1/4" BSP	54MM	48MM	10 MICRON	£13.30
FB110B1C40	1/4" BSP	54MM	48MM	40 MICRON	£13.80
FB110B2C05	3/8" BSP	54MM	48MM	5 MICRON	£14.40
FB110B2C10	3/8" BSP	54MM	48MM	10 MICRON	£14.40
FB110B2C40	3/8" BSP	54MM	48MM	40 MICRON	£15.00
FB120B3C05	1/2" BSP	69MM	67MM	5 MICRON	£18.60
FB120B3C10	1/2" BSP	69MM	67MM	10 MICRON	£18.60
FB120B3C40	1/2" BSP	69MM	67MM	40 MICRON	£19.20
FB120B4C05	3/4" BSP	69MM	67MM	5 MICRON	£27.30
FB120B4C10	3/4" BSP	69MM	67MM	10 MICRON	£27.30
FB120B4C40	3/4" BSP	69MM	67MM	40 MICRON	£27.90
FB130B5C05	1" BSP	91MM	108MM	5 MICRON	£25.80
FB130B5C10	1" BSP	91MM	108MM	10 MICRON	£25.80
FB130B5C40	1" BSP	91MM	108MM	40 MICRON	£28.25

OPTIONAL EXTRAS

CONNECTION PORTS
METRIC THREADS AVAILABLE ON REQUEST

1) Nominal size

Codice - Code	A	B	C	D	E	F	CH
FB-1-10	48	32	B1	9	45	54	14
	48	32	B2	9	45	54	19
	48	32	M12	9	45	54	14
	48	32	M16	9	45	54	19
	48	32	M18	9	45	54	19
	48	32	M22	10	45	55	24
FB-1-20	67	50	B3	10	59	69	27
	67	50	B4	10	59	69	27
	67	50	M16	10	59	69	27
FB-1-30	108	61	B5	15	76	91	34

2) Connection port

Code	Connection
B1	1/4" BSP
B2	3/8" BSP
B3	1/2" BSP
B4	3/4" BSP
B5	1" BSP
M12	M12 x 1,5
M16	M16 x 1,5
M18	M18 x 1,5
M22	M22 x 1,5

3) Filtration ratings

Code	Media	Efficienza - Efficiency
C05	resin impregnated cellulose	$\beta_{05} \geq 2$
C10	resin impregnated cellulose	$\beta_{10} \geq 2$
C40	electrostatically velvety wire	$\beta_{40} \geq 2$

- Ordering information

Filtro
Filter

FB-1

10

B2

C10

1*

2*

3*

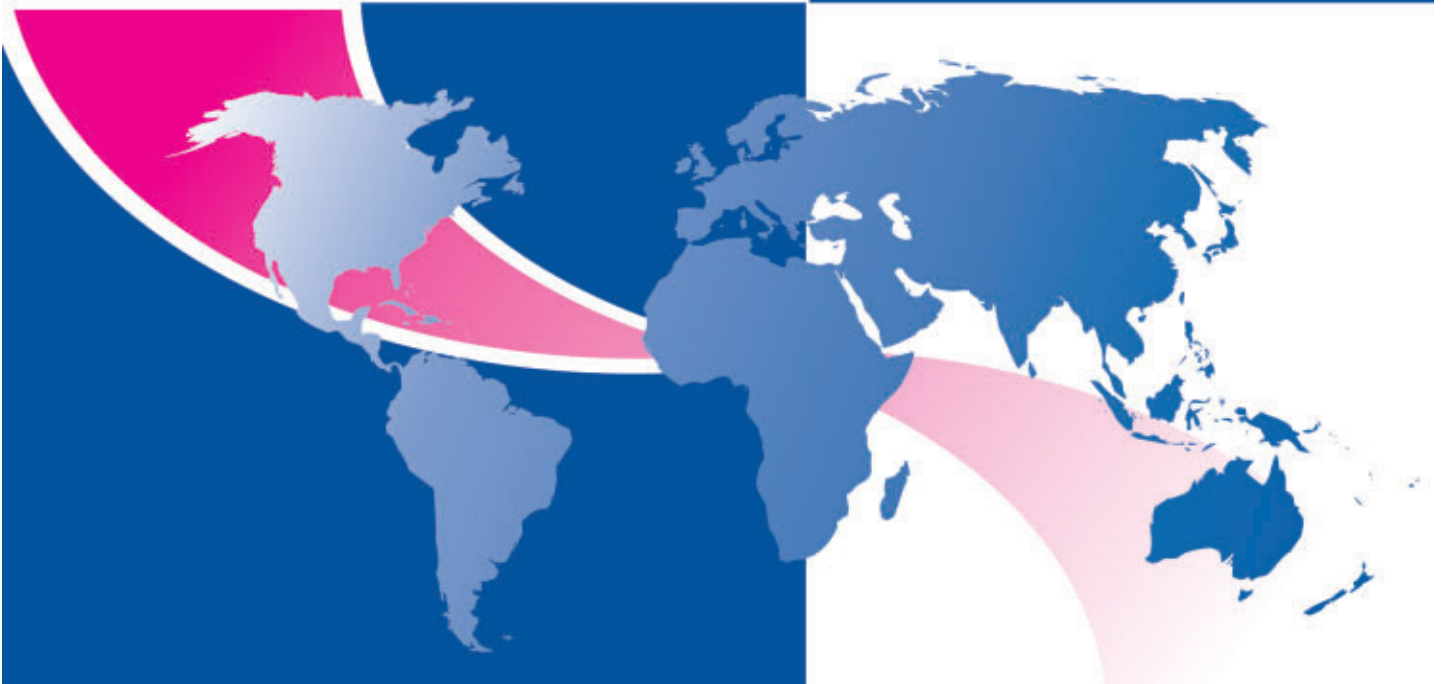


ACCESSORI
ACCESSORIES



FILTREC[®]
Technical Filtration

serie
FT



Serie FT

Filler breather filters



FILTER HOUSING

Description:

Filter media:

Max flow rate:

Basket:

Chain:

Materials:

Technical Information

Filler breathers filters

Cellulose 10, 40µ

- FT-5 200 l/min (53 gpm)
- FT-7 and FT-8 500 l/min (132 gpm)

500µ

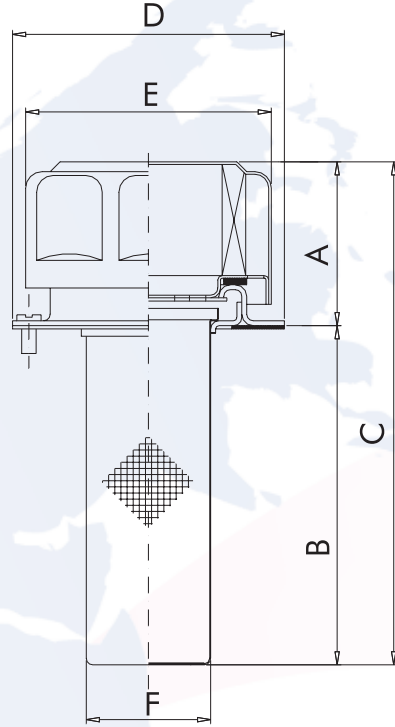
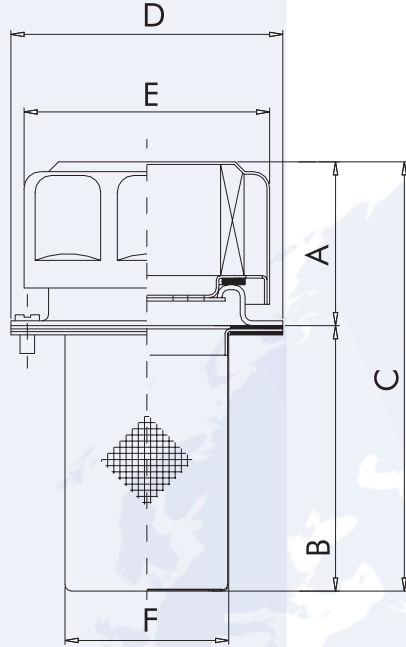
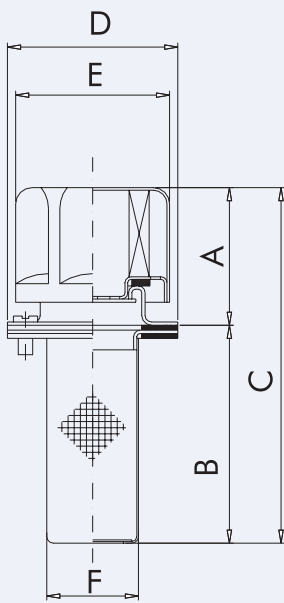
FT-8-../1 and FT-8-../2 are equipped with a connection chain between cap and flange.

- Cap: chrome plated steel
- Basket: zinc steel
- Flange: zinc steel
- Gasket: cork

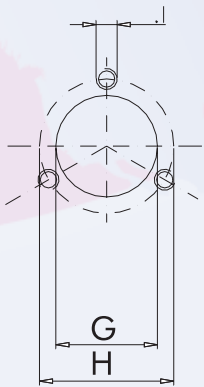
ORDER CODE	OUTER DIAMETER	TOTAL LENGTH	WIDTH OF BASKET	LENGTH OF BASKET	MOUNTING	AIR RATING INNER ELEMENT	PRESSURISED RATING	PRICE
STANDARD FILLER BREATHERS								
FT5C10	52MM	112MM	29MM	64MM	3 HOLE P.C.D 41MM	10 MICRON	N/A	
FT5C40	52MM	112MM	29MM	64MM	3 HOLE P.C.D 41MM	40 MICRON	N/A	
FT8C101	83MM	135MM	78MM	78MM	6 HOLE P.C.D 73MM	10 MICRON	N/A	
FT8C102	83MM	205MM	148MM	148MM	6 HOLE P.C.D 73MM	10 MICRON	N/A	
FT8C401	83MM	135MM	78MM	78MM	6 HOLE P.C.D 73MM	40 MICRON	N/A	
FT8C402	83MM	205MM	148MM	148MM	6 HOLE P.C.D 73MM	40 MICRON	N/A	
STANDARD LOCKABLE FILLER BREATHERS								
FT8C1010L	83MM	135MM	78MM	78MM	6 HOLE P.C.D 73MM	10 MICRON	N/A	
FT8C1020L	83MM	205MM	148MM	148MM	6 HOLE P.C.D 73MM	10 MICRON	N/A	
FT8C4010L	83MM	135MM	78MM	78MM	6 HOLE P.C.D 73MM	40 MICRON	N/A	
FT8C4020L	83MM	205MM	148MM	148MM	6 HOLE P.C.D 73MM	40 MICRON	N/A	
PRESSURISED FILLER BREATHERS								
FT8C101V03	83MM	135MM	78MM	78MM	6 HOLE P.C.D 73MM	10 MICRON	0.35 BAR (5 PSI)	
FT8C101V07	83MM	135MM	78MM	78MM	6 HOLE P.C.D 73MM	10 MICRON	0.75 BAR (10.8 PSI)	
FT8C102V03	83MM	205MM	148MM	148MM	6 HOLE P.C.D 73MM	10 MICRON	0.35 BAR (5 PSI)	
FT8C102V07	83MM	205MM	148MM	148MM	6 HOLE P.C.D 73MM	10 MICRON	0.75 BAR (10.8 PSI)	
FT8C401V03	83MM	135MM	78MM	78MM	6 HOLE P.C.D 73MM	40 MICRON	0.35 BAR (5 PSI)	
FT8C401V07	83MM	135MM	78MM	78MM	6 HOLE P.C.D 73MM	40 MICRON	0.75 BAR (10.8 PSI)	
FT8C402V03	83MM	205MM	148MM	148MM	6 HOLE P.C.D 73MM	40 MICRON	0.35 BAR (5 PSI)	
FT8C402V07	83MM	205MM	148MM	148MM	6 HOLE P.C.D 73MM	40 MICRON	0.75 BAR (10.8 PSI)	
PRESSURISED LOCKABLE FILLER BREATHERS								
FT8C101V03L	83MM	135MM	78MM	78MM	6 HOLE P.C.D 73MM	10 MICRON	0.35 BAR (5 PSI)	
FT8C101V07L	83MM	135MM	78MM	78MM	6 HOLE P.C.D 73MM	10 MICRON	0.75 BAR (10.8 PSI)	
FT8C102V03L	83MM	205MM	148MM	148MM	6 HOLE P.C.D 73MM	10 MICRON	0.35 BAR (5 PSI)	
FT8C102V07L	83MM	205MM	148MM	148MM	6 HOLE P.C.D 73MM	10 MICRON	0.75 BAR (10.8 PSI)	
FT8C401V03L	83MM	135MM	78MM	78MM	6 HOLE P.C.D 73MM	40 MICRON	0.35 BAR (5 PSI)	
FT8C401V07L	83MM	135MM	78MM	78MM	6 HOLE P.C.D 73MM	40 MICRON	0.75 BAR (10.8 PSI)	
FT8C402V03L	83MM	205MM	148MM	148MM	6 HOLE P.C.D 73MM	40 MICRON	0.35 BAR (5 PSI)	
FT8C402V07L	83MM	205MM	148MM	148MM	6 HOLE P.C.D 73MM	40 MICRON	0.75 BAR (10.8 PSI)	

ORDER CODE	CAP WIDTH	TOTAL LENGTH	WIDTH OF BASKET	AIR RATING INNER ELEMENT	CONNECTION	PRESSURISED RATING	PRICE
THREADED FILLER BREATHERS							
FT7C10B300	75MM	67MM	75MM	10 MICRON	1/2" BSP	N/A	
FT7C10B400	75MM	67MM	75MM	10 MICRON	3/4" BSP	N/A	
FT7C40B300	75MM	67MM	75MM	40 MICRON	1/2" BSP	N/A	
FT7C40B400	75MM	67MM	75MM	40 MICRON	3/4" BSP	N/A	
PRESSURISED FILLER BREATHERS							
FT7C10B3V03	75MM	67MM	75MM	10 MICRON	1/2" BSP	0.35 BAR (5 PSI)	
FT7C10B3V07	75MM	67MM	75MM	10 MICRON	1/2" BSP	0.75 BAR (10.8 PSI)	
FT7C10B4V03	75MM	67MM	75MM	10 MICRON	3/4" BSP	0.35 BAR (5 PSI)	
FT7C10B4V07	75MM	67MM	75MM	10 MICRON	3/4" BSP	0.75 BAR (10.8 PSI)	
FT7C40B3V03	75MM	67MM	75MM	40 MICRON	1/2" BSP	0.35 BAR (5 PSI)	
FT7C40B3V07	75MM	67MM	75MM	40 MICRON	1/2" BSP	0.75 BAR (10.8 PSI)	
FT7C40B4V03	75MM	67MM	75MM	40 MICRON	3/4" BSP	0.35 BAR (5 PSI)	
FT7C40B4V07	75MM	67MM	75MM	40 MICRON	3/4" BSP	0.75 BAR (10.8 PSI)	

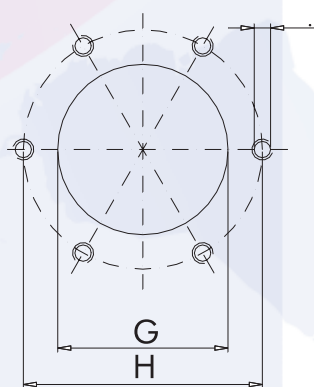
Overall dimensions



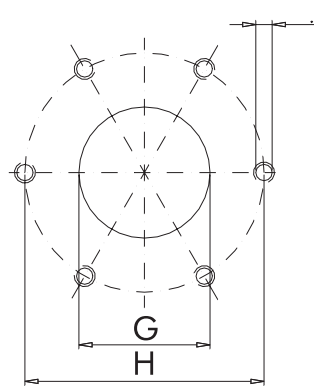
Tank hole dimensions



FT-5

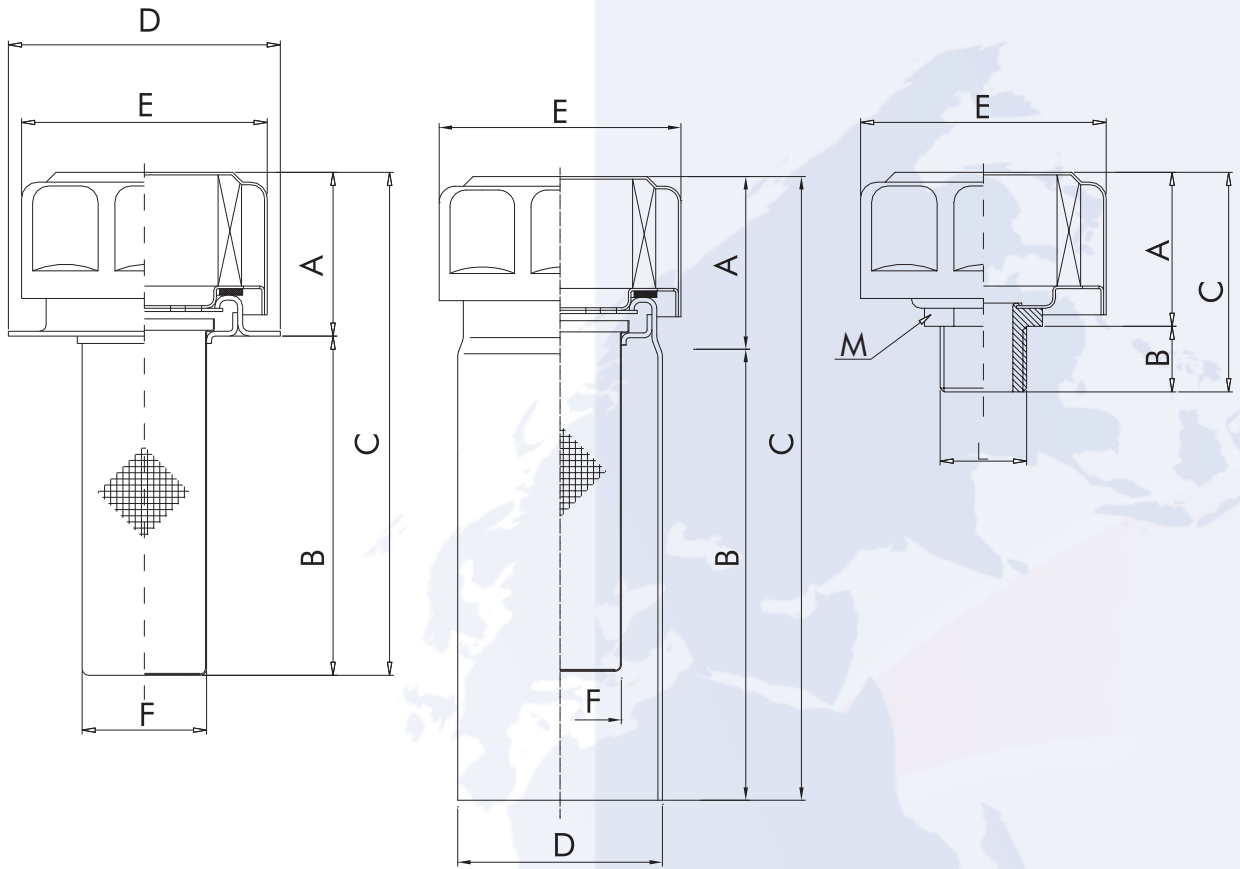


FT-8.../1
FT-8.../2

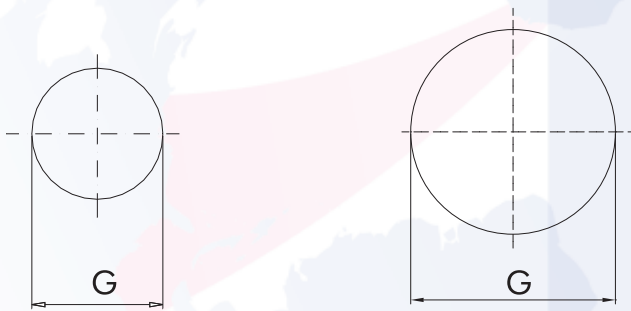


FT-8.../F

Overall dimensions



Tank hole dimensions



FT-8.../G

FT-8.../S

FT-7

1) Nominal size

Codice - Code	A	B	C	D	E	F	G	H	I	L	M	Catenella - Chain
FT-5	42	65	107	52	47	27,5	31	41	M5	---	---	No
FT-7	47	20	67	---	75	---	---	---	---	3/4" BSP - NPT 1/2" BSP - NPT	32	No
FT-8-.../1	50	80	130	83	75	50	52	73	M5	---	---	Si / Yes
FT-8-.../2	50	150	200	83	75	50	52	73	M5	---	---	Si / Yes
FT-8-.../F	50	100	150	83	75	38	40	73	M5	---	---	No
FT-8-.../G	50	100	150	83	75	38	40	---	---	---	---	No
FT-8-.../S	50	133	183	63,5	75	38	64	---	---	---	---	No

2) Filtration ratings

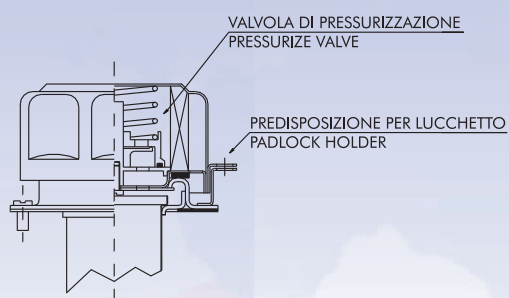
Code	Media	Efficienza - Efficiency
C10	resin impregnated cellulose	$\beta_{10} \geq 2$
C40	resin impregnated cellulose	$\beta_{40} \geq 2$

3) Connection port

Code	Connection
B3	1/2" BSP
B4	3/4" BSP
N3	1/2" NPT
N4	3/4" NPT

4) Pressurize valve

Code	Indicator type	Note
0	senza / without	
V03	taratura 0,35 Bar setting 0,35 Bar (5 psi)	Non disponibile per FT-5 Not available for FT-5
V07	taratura 0,75 Bar setting 0,75 Bar (10,8 psi)	



5) Predisposizione per lucchetto - Padlock holder

Codice - Code	Predisp. lucchetto - Padlock holder
0	senza / without
L	con / with

Non disponibile per FT-5 e FT-7
Not available for FT-5 and FT-7

Ordering information

FT-5 and FT-8 series

FT-8	C10	/2	V07	L
1*	2*	1*	4*	5*

FT-7 series

FT-7	C10	B4	V07
1*	2*	3*	4*